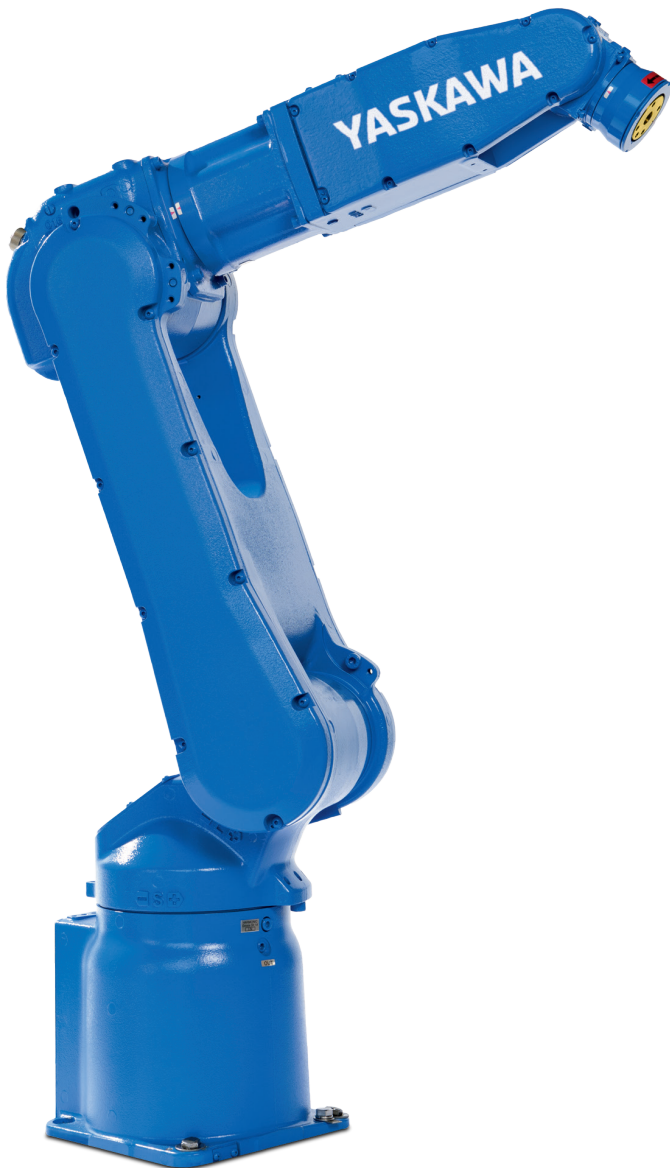


# YASKAWA

## MOTOMAN MH5S II, MH5F MOTOMAN MH5LS II, MH5LF

Handling & General Applications  
with the MH-series



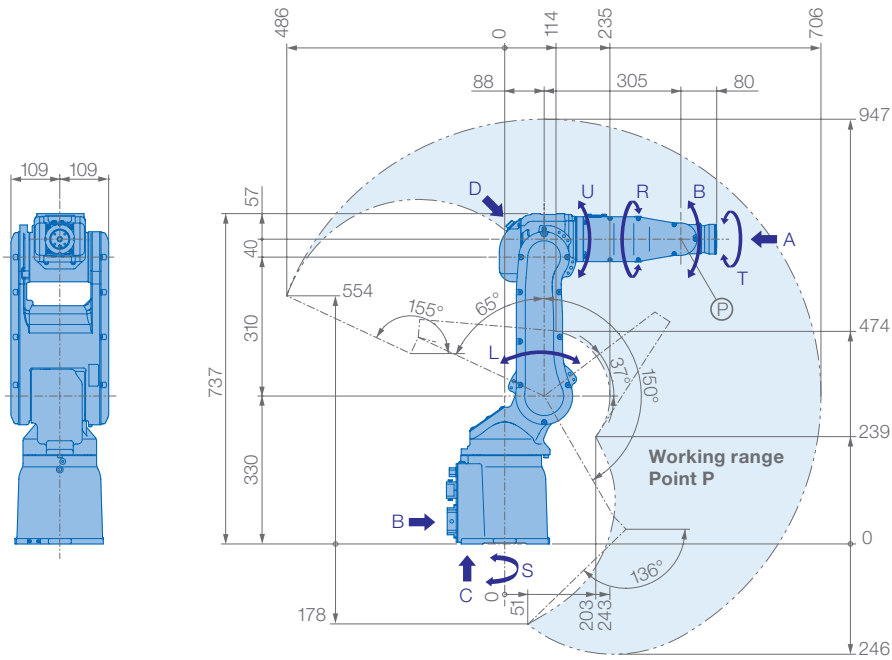
The MOTOMAN MH5S II, MH5F and MH5LS II, MH5LF are compact, high speed 6-axis robots that offer superior performance in a variety of applications such as packaging, material handling, machine tending and dispensing, where versatility is required.

The MH5S II, MH5F and MH5LS II, MH5LF feature high reach and offer the widest work envelope in its class. Its compact design and built-in collision detection feature with multiple robot control allow up to eight robots to be used together to optimize productivity.

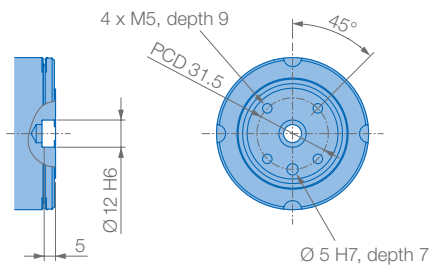
This all-round robots can be driven by the high-performance-controller DX200 as well as the compact-controller FS100.

### KEY BENEFITS

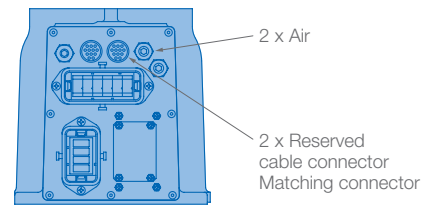
- Compact, powerful and economical
- Compact design allows maximum performance using minimal floor space
- Yields extraordinary production results while requiring minimal capital investment
- Internally routed cables and hoses maximize system reliability



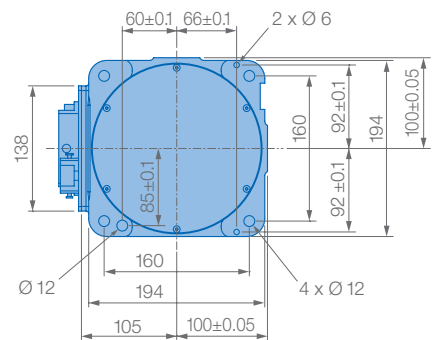
**View A**



**View B**

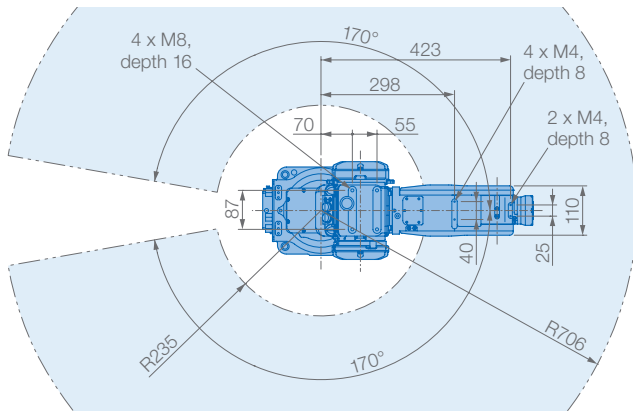
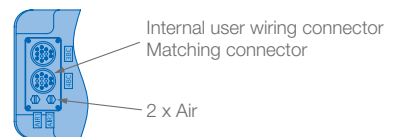


**View C**



Mounting options: Floor, ceiling, wall  
Protection class: IP65/6

**View D**

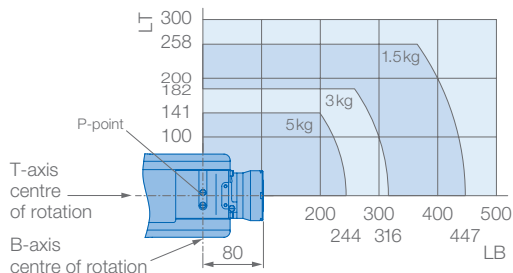


**Please note wall mounting option:**  
±30° S-axis limit

**Please note ceiling mounting option (MH5S II):**  
Please notice working range of B-axis

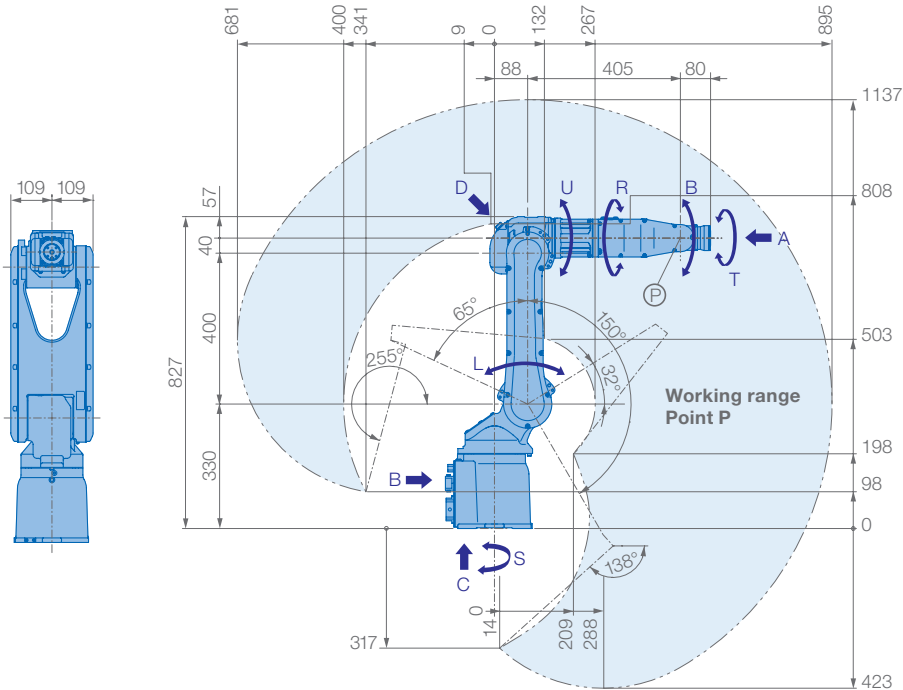
**Please note tilted robot:**  
0°–90° limitation of S-axis, details on request

### Allowable wrist load

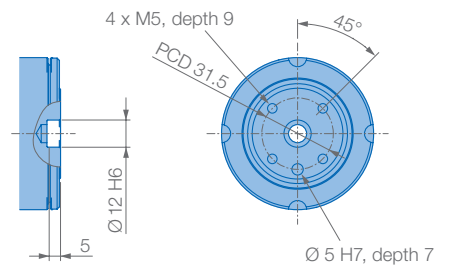


### Specifications MH5S II, MH5F

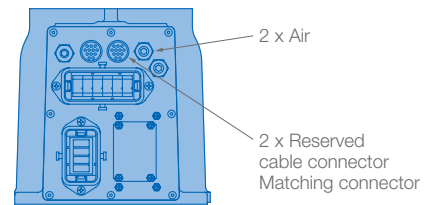
Axes	Maximum motion range [°]	Maximum speed [°/sec.]	Allowable moment [Nm]	Allowable moment of inertia [kg · m <sup>2</sup> ]	Controlled axes	6
S	±170	376	–	–	Max. payload [kg]	5
L	+150/–65	350	–	–	Repeatability [mm]	±0.02
U	+155/–136	400	–	–	Max. working range R [mm]	706
R	±190	450	12	0.3	Temperature [°C]	0 to +45
B	±135	450	12	0.3	Humidity [%]	20 – 80
T	±360	720	7	0.1	Weight [kg]	27
					Power supply, average [KVA]	1.0



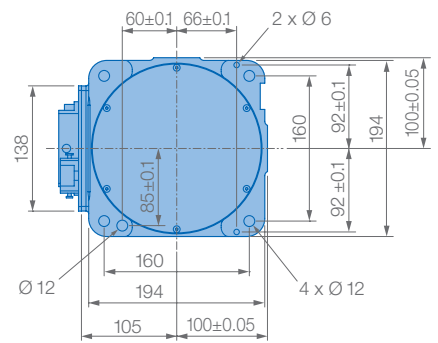
**View A**



**View B**

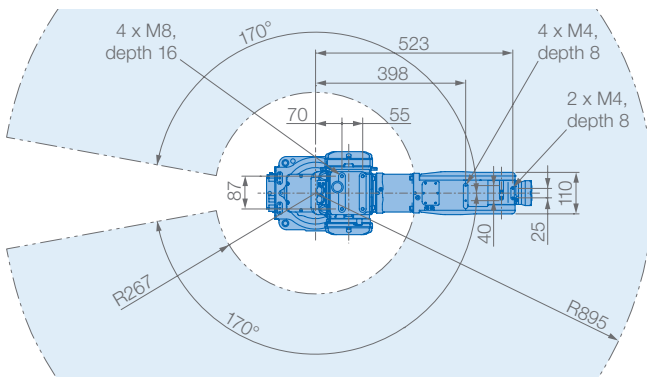
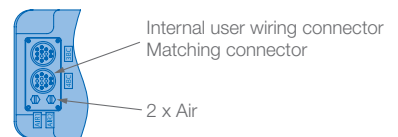


**View C**



Mounting options: Floor, ceiling, wall  
Protection class: IP65/6

**View D**

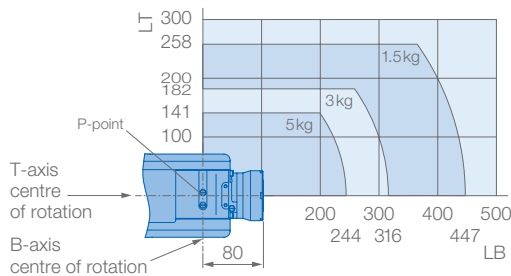


**Please note wall mounting option:**  
±30° S-axis limit

**Please note ceiling mounting option (MH5LS II):**  
Please notice working range of B-axis

**Please note tilted robot:**  
0°–90° limitation of S-axis, details on request

**Allowable wrist load**



Specifications MH5LS II, MH5LF						
Axes	Maximum motion range [°]	Maximum speed [°/sec.]	Allowable moment [Nm]	Allowable moment of inertia [kg · m <sup>2</sup> ]	Controlled axes	6
S	±170	270	–	–	Max. payload [kg]	5
L	+150/–65	280	–	–	Repeatability [mm]	±0.03
U	+155/–136	300	–	–	Max. working range R [mm]	895
R	±190	450	12	0.3	Temperature [°C]	0 to +45
B	±135	450	12	0.3	Humidity [%]	20 – 80
T	±360	720	7	0.1	Weight [kg]	29
					Power supply, average [KVA]	1.0

## YASKAWA GROUP

- AT YASKAWA Austria  
Schwechat/Wien  
+43(0)1-707-9324-15
- CZ YASKAWA Czech s.r.o.  
Rudná u Prahy  
+420-257-941-718
- ES YASKAWA Ibérica, S.L.  
Gavà/Barcelona  
+34-93-6303478
- FR YASKAWA France SARL  
Saint-Aignan-de-Grand-Lieu  
+33-2-40131919
- FI YASKAWA Finland Oy  
Turku +358-(0)-403000600
- GB YASKAWA UK Ltd.  
Banbury +44-1295-272755
- IT YASKAWA Italia s.r.l.  
Torino +39-011-9005833
- IL YASKAWA Europe Technology Ltd.  
Rosh Ha'ayin +972-3-9004114
- NL YASKAWA Benelux B.V.  
Son +31-40-2895500
- PL YASKAWA Polska Sp. z o.o.  
Wrocław +48-71-7928670
- RU YASKAWA Nordic AB  
Moskva +46-480-417-800
- SE YASKAWA Nordic AB  
Torsås +46-480-417-800
- SI YASKAWA Slovenia  
Ribnica +386-1-8372-410
- TR YASKAWA Turkey Elektrik  
Ticaret Ltd. Sti.  
İstanbul +90-216-5273450
- ZA YASKAWA Southern Africa (PTY) Ltd  
Johannesburg +27-11-6083182

## DISTRIBUTORS

- BG ARAMET ROBOTICS Ltd.  
Yambol +359-885 317 294  
Kammarton Bulgaria Ltd.  
Sofia +359-02-926-6060
- CH Messer Eutectic Castolin  
Switzerland S.A.  
Dällikon +41-44-847-17-17
- DK Robotcenter Danmark  
Løsning +45 7022 2477
- EE RKR Seadmed OÜ  
Tallinn/Estonia +372-68-35-235
- GR Gizelis Robotics  
Nea Kifissia +30-2106251455
- HU Flexman Robotics Kft  
Budapest +36-30-9510065
- LT Profibus UAB  
Panevezys +370-45-518575
- NO Skala Robotech AS  
Lierstranda +47-32240600
- PT ROBOPLAN Lda  
Aveiro +351-234 943 900
- RO Sam Robotics srl  
Timisoara +40-720-279-866  
MPL Automation S.R.L.  
Satu Mare +40 (0) 261 750 741



## YASKAWA Headquarters

YASKAWA Europe GmbH  
Robotics Division  
Yaskawastraße 1  
85391 Allershausen, Germany  
Tel. +49 (0) 8166/90-0  
Fax +49 (0) 8166/90-103

robotics@yaskawa.eu.com  
www.yaskawa.eu.com

## YASKAWA ACADEMY and sales office Frankfurt

YASKAWA Europe GmbH  
Robotics Division  
Hauptstraße 185  
65760 Eschborn, Germany  
Tel. +49 (0) 6196/77725-0  
Fax +49 (0) 6196/77725-39

All dimensions in mm.  
Technical data may be subject to change without previous notice.  
Please request detailed drawings at [robotics@yaskawa.eu.com](mailto:robotics@yaskawa.eu.com).

YR-MH0005SII-J12 (DX200), YR-MH0005F-A12 (FS100)  
YR-MH0005LSII-J12 (DX200), YR-MH005LF-A12 (FS100)  
A-07-2018, A-No. 167079

# YASKAWA